



Installation instructions

Audi A4 2008 ▶

Audi A5 2008 ▶

Audi Q5 2009 ▶

Pedal covers/footrest

Audi Genuine Accessories®

Edition 12.2011



Contents

| | | |
|----------|--------------------------------------------------------------------------------------------|----------|
| 1 | General notes | 1 |
| 2 | Parts overview and tools | 2 |
| 3 | Sequence of operations | 3 |
| 3.1 | Removing and installing the pedal covers on the accelerator, brake and clutch pedals | 3 |
| 3.2 | Removing the footrest and trims | 4 |
| 3.3 | Installing the footrest and trims | 7 |



1 General notes

Please read and take note of these WARNING, Caution and Note descriptions before carrying out maintenance or repair work.

WARNING

Text with this symbol contains information concerning your safety and indicates potential accident and injury risks.

Caution

Text with this symbol indicates the risk of damage to your vehicle.

Note

Text with this symbol contains additional information.

The pages that follow contain all of the information (subject to technical change) required to install and remove the pedal covers used in the vehicle.

Incorrect installation can cause damage to the pedal covers.

WARNING

The pedal covers must be installed by a specialist workshop.

- ◆ *If the pedal cover is not installed correctly, it may cause the accelerator pedal to jam, resulting in hazardous driving conditions — risk of accident.*
- ◆ *If the pedal cover on the brake or accelerator pedal is loose, it may slip off the pedal in an emergency situation — risk of accident.*

Audi AG shall not accept responsibility in the event of failure to comply with these assembly instructions.



2 Parts overview and tools

Pedal cover sets required:

Pedal cover set for left-hand drive manual gearboxes, without footrest 8K1.064.200

Comprising:

| Units | Part number | Description |
|-------|---------------|---------------------------|
| 1 | 8K1.064.200.B | Brake pedal cover |
| 1 | 8K1.064.200.C | Clutch pedal cover |
| 1 | 4F1.721.891 | Accelerator pedal cover |
| 1 | | Installation instructions |

or:

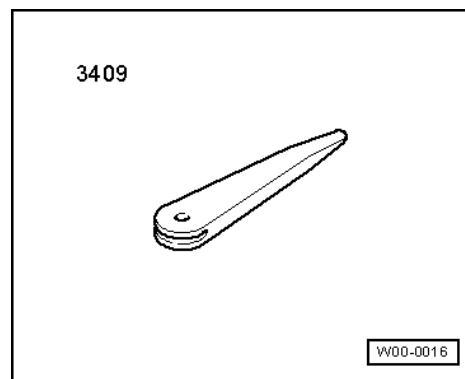
Pedal cover set for left-hand drive manual gearboxes, with footrest 8K1.064.205

Comprising:

| Units | Part number | Description |
|-------|---------------|---------------------------|
| 1 | 8K1.064.200.B | Brake pedal cover |
| 1 | 8K1.064.200.C | Clutch pedal cover |
| 1 | 4F1.721.891 | Accelerator pedal cover |
| 1 | 8K1.864.777.A | Foot rest |
| 1 | | Installation instructions |

Special tools and workshop equipment required

- ◆ Removal wedge -3409-
- ◆ Slotted head screwdriver, small
- ◆ „T25“ Torx screwdriver
- ◆ „8 mm“ box nut





3 Sequence of operations

3.1 Removing and installing the pedal covers on the accelerator, brake and clutch pedals

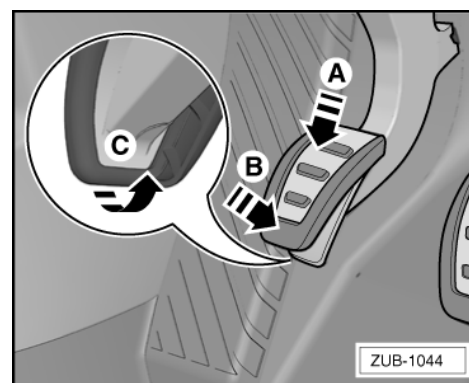
3.1.1 Removing the pedal covers

- Remove the pedal covers using the removal wedge -3409-.

3.1.2 Installing the pedal covers on the accelerator, brake and clutch pedals

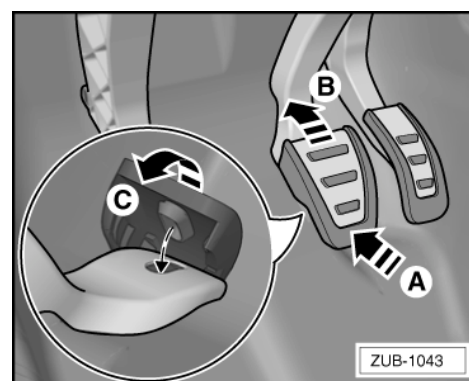
Clutch pedal

- Starting from the top -arrow A-, pull the pedal cover over the pedal -arrow B-.
- Pull the outer rubber lip -arrow C- on the pedal cover over the clutch pedal using a removal wedge -3409-.



Brake pedal

- Starting from underneath -arrow A-, pull the pedal cover over the pedal -arrow B-. Make sure that the central guide part -arrow C- is in the correct position on the pedal.
- Pull the outer rubber lip on the pedal cover over the pedal using a removal wedge -3409-.



Accelerator pedal

- Starting from underneath, pull the pedal cover over the right-hand side of the pedal.
- As soon as the rubber lip on the bottom and right edge extends over the pedal, pull the left-hand rubber lip over the pedal.

All pedals

- Use a mirror to check that the outer rubber lip is in the correct position. Do the same for the central guide part on the brake pedal.



⚠ WARNING

Under no circumstances use silicone spray or tyre mounting paste when installing the pedal covers.

It is best to use isopropanol to clean the pedals and covers, as special rubber care products will result in the pedal cover surfaces becoming slippery.

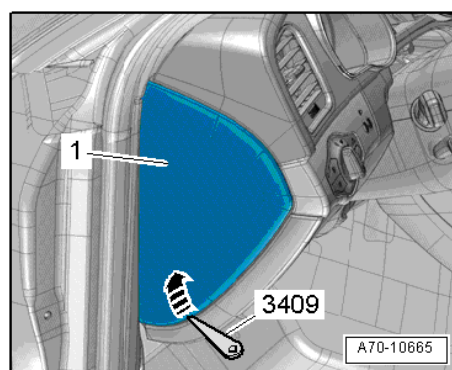
- ***Risk of accident caused by the driver's feet slipping from the pedal as well as the pedal cover becoming loose.***

3.2 Removing the footrest and trims

All vehicles "Pedal cover set with footrest"

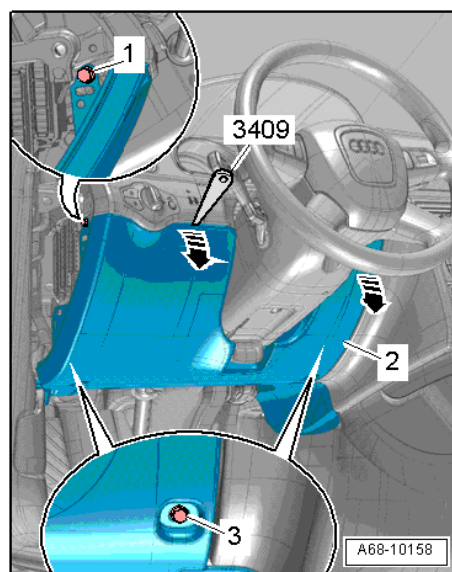
3.2.1 Removing the side dash panel cover

- Use the removal wedge -3409- to prise the instrument panel cover -1- away sideways -(in the direction of the arrow)- and detach.



3.2.2 Removing the dash panel cover on the driver side.

- Undo the bolt -1- on the side.
- Undo the bottom bolts -3-.
- Unclip the top edge of the dash panel cover -2- on the driver side from the dash panel using the removal wedge -3409- -arrows-.
- Unclip the 16-pin connector -T16- (diagnostic connector).
- Footwell light "equipment variant"; detach electrical connector.
- Remove the dash panel cover -2- on the driver side.

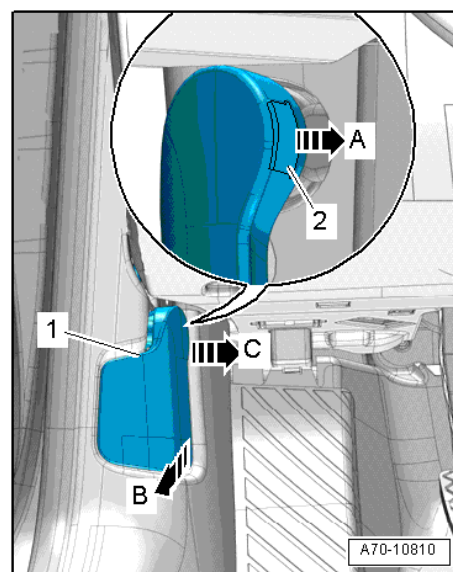


3.2.3 Removing the bonnet actuating lever

- Pull the securing clip -2- slightly away from the actuating lever -1- -arrow A- using the small slotted head screwdriver.
- Pull the actuating lever -1- backwards -arrow B- (this releases the bonnet) and hold it in this position.
- At the same time, pull the actuating lever -1- out of its fixture in a fully horizontal motion towards the centre of the vehicle -arrow C-.

! **Caution**

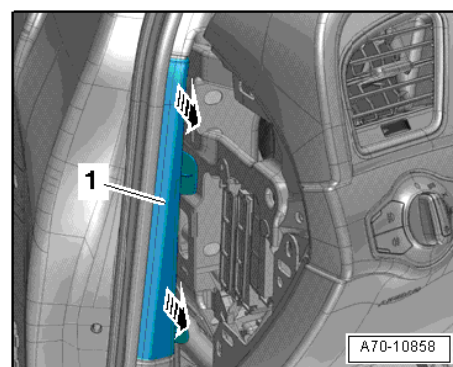
Pulling out the actuating lever on a slant can damage the fixture.



3.2.4 Removing the gap cover on the A-pillar (driver side)

All vehicles

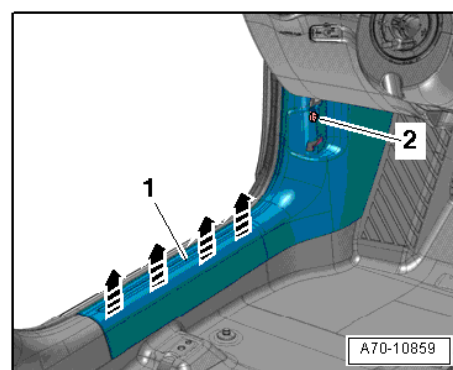
- Pull back the gap cover -1- on the A-pillar towards the rear -arrows- and detach.



3.2.5 Removing the bottom part of the A-pillar trim (driver-side sill panel trim)

A4/A5 Sportback/Q5

- Unscrew the bolt -2- for the front sill panel trim.
- Starting from the rear, unclip the front sill panel trim -1- from the side member -arrows- using the removal wedge -3409-.
- Pull the front footboard embellisher away from the foot rest towards the rear.
- Uncouple the front footboard embellisher on the fixture for the control lever and detach.

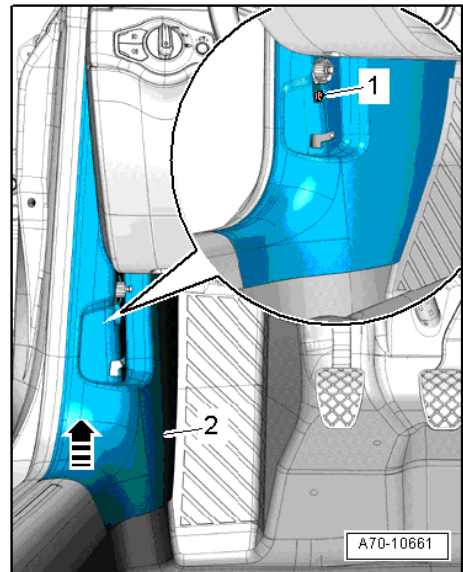




3.2.6 Removing the bottom part of the A-pillar trim (driver side)

A5 Cabrio, Coupe

- Undo the bolt -1- for the bottom part of the A-pillar trim.
- Unclip the bottom part of the A-panel trim -2- from the side member using the removal wedge -3409- -arrow-.
- Pull out the bottom part of the A-pillar trim and remove from the top part of the A-pillar trim.



3.2.7 Removing the footrest

All vehicles

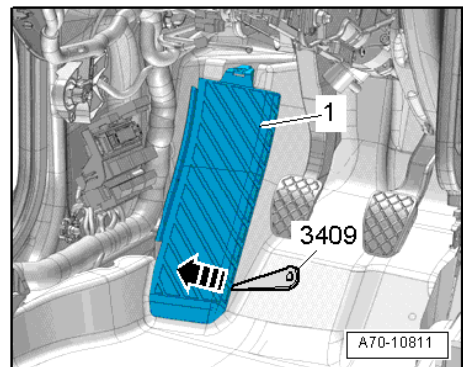
- Unclip the footrest -1- using the removal wedge -3409- -arrow- and remove.

Note

The footrest is damaged when being removed and will need to be replaced.

Caution

Remove any damaged fasteners to guarantee that the new footrest is in the correct position!



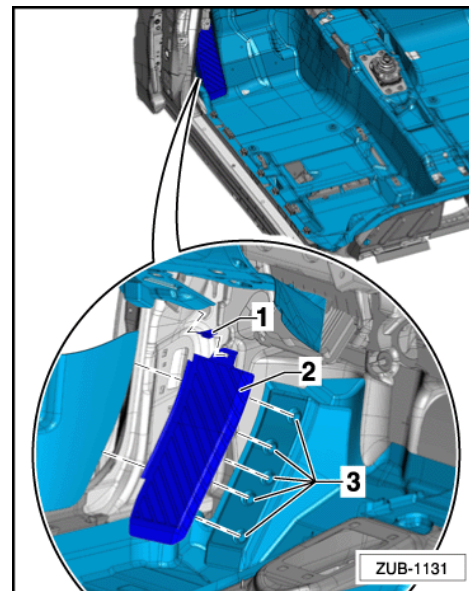


3.3 Installing the footrest and trims

All vehicles "Pedal cover set with footrest"

3.3.1 Installing the footrest

- Insert the clip -1- in the footrest -2-.
- Replace the footrest -2-, making sure that the footrest -2- is fully engaged with the fasteners in the mounts -3-.



3.3.2 Installing the bottom part of the A-pillar trim (driver-side sill panel trim)

A4/A5 Sportback/Q5

Installation is carried out in reverse order. ⇒ [Page 5](#) Please note the following points:

- If fasteners for the trims remained in holes in the body used for attachment, remove the fasteners and insert into the trims for use when re-installing.
- Check the clips for damage or deformation and replace as necessary.
- Attach the bottom part of the A-pillar trim to the fixture for the actuating lever and push into the footrest.
- Clip the bottom part of the A-pillar trim to the side member and position over the lip of the door seal.
- Screw in the bolt -2-.
- Tightening torque: 2 Nm

3.3.3 Installing the gap cover on the A-pillar (driver side)

All vehicles

Installation is carried out in reverse order ⇒ [Page 5](#).



3.3.4 Installing the bottom part of the A-pillar trim (driver side)

A5 Cabrio, Coupe

Installation is carried out in reverse order. ⇒ Page 6 Please note the following points:

- If fasteners for the trims remained in holes in the body used for attachment, remove the fasteners and insert into the trims for use when re-installing.
- Check the clips for damage or deformation and replace as necessary.
- Push the bottom part of the A-pillar trim into the top part of the A-pillar trim and into the floor covering.
- Clip the bottom part of the A-pillar trim to the side member and position over the lip of the door seal.
- Insert bolt -1-.
- Tightening torque: 2 Nm

3.3.5 Installing the bonnet actuating lever

All vehicles

Installation is carried out in reverse order. ⇒ Page 5 Please note the following points:

- Push the securing clip completely into the actuating lever.
- Press the actuating lever onto the fixture in the mounting bracket and ensure that it engages.

3.3.6 Installing the dash panel cover and side cover (driver side)

All vehicles “Dash panel cover”

- Clip in the 16-pin connector -T16- (diagnostic connector).
- Connect the footwell light connector (equipment variant).
- Insert the bottom dash panel cover -1- into the clip -3- on the footrest and clip -2- on the air conditioning unit -arrows-.
- Screw in bolts -1- and -3- ⇒ Page 4.
- Tightening torque: 3 Nm

All vehicles “Side dash panel cover”

Installation is carried out in reverse order ⇒ Page 4. Please note the following points:

- Press the side cover for the dash panel until it audibly engages in place.

